

Shelving Systems



MULTI- PURPOSE STORAGE SYSTEM

Euro Shelving System



Euro Shelving A Storage System For Every Working Environment

Wherever there's a need for storage, there's a job for Euro shelving. From stand alone single units to multi-level storage bays, Euro shelving is the single, simple to use, versatile solution.

Modular in design for ease of assembly, Euro shelving offers almost limitless scope for the creation of customized storage facilities; and a complementary range of accessories extends its capabilities still further.

Euro shelving features unique shelf support clips that simply slot into place giving firm support for even the heaviest loading requirements, yet allowing for quick and easy repositioning whenever required. Standard shelves will support loads of up to 200 kg. and when even that's not enough, there's the option to specify heavy or extra heavy duty for their more demanding storage environment.



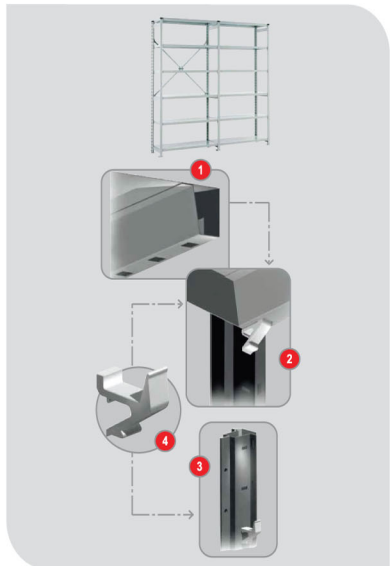


Euro Shelving Features:

Euro Shelving offers you a choice of components-side frames in a variety of depths, shelves in three duties, and shelf support clips for easy fixing.

Euro shelving is available open backed or clad to match your precise specification.

- 1-Shelves utilize box section construction at the front and rear for load bearing strength and rigidity.
- 2- Shelf support clips have been specially developed for the Euro shelving system. For safety, their design helps prevent accident shelf dislodgement whilst being extremely easy to use.
- 3- simply slot the clip into the uprights to create an extremely rigid structure yet allowing for quick and easy re-positioning of shelves.
- 4-Shelves locate at 50 mm increments as standard for maximum versatility in shelf positioning.



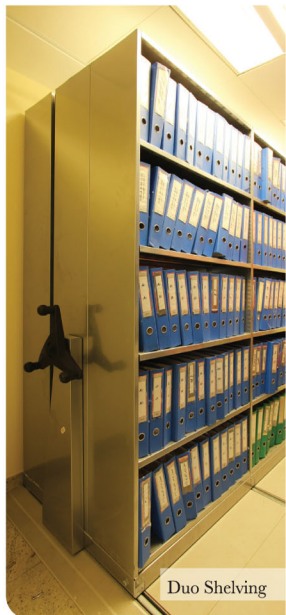
New Stormor Shelving System

Mono , Solo & Duo Shelving

Books, Documents, and Archiving Materials can be demanding on storage space. That is why we have made Link Misr STORMOR Shelving System. Easy to use and fully adjustable, offering you the widest range of options for more effective use of shelf space.

New STORMOR system gives you a variety of shelves and upright sizes allowing storage of bulky items or smaller ones without any vertical or horizontal spacing wastage. New STORMOR shelving system will even handle heavy files or office equipments, easily assembled and simple to adjust

Stormor shelving is also effective when used in centralized storage areas, with the slim shelf and upright profiles minimizing wasted space within the storage cube



Duo Shelving



Solo Shelving



Mono Shelving



Dividers



Suspended file cradle



Plastic drawers



Pull out drawer



Hanging rail shelf support



Pull out shelf

Designed
for today's working practices



SOLO FRAME



MONO FRAME



DUO FRAME

MS Medium Span Shelving System



Link Mistr MS Medium Span Shelving -Versatility As Standard To Maximise Your Storage

MS Medium span offers you virtually unlimited opportunities to expand your storage capacity, whether you are storing boxes, cartons, tubes or wires. MS Medium spans of up to 3000 mm also make MS Medium span ideal for a wide range of big and bulky items.

- * Quick and easy installation, with no special tools and saves you time and money
- * Shelves are easily adjusted to your needs as stock patterns change



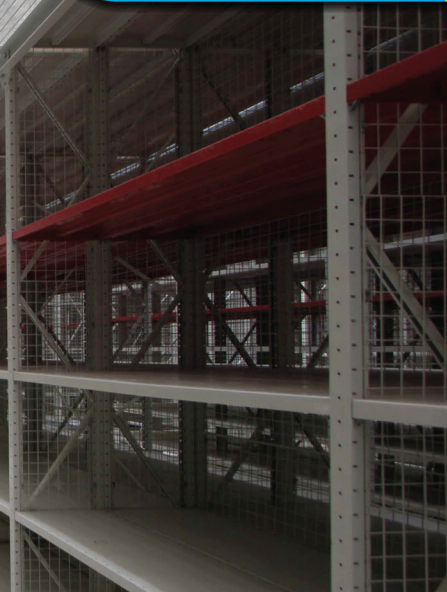
Beamless MS Medium Span



J Beam



Beam MS Medium Span

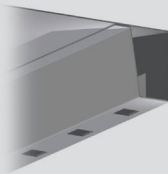


Beamless MS Medium Span System

Height: 1200 to 5000 mm

Frame depth: 300 to 900 mm

Clear Entry: 1300 to 1800 mm



Shelf box section construction at the front and rear for load bearing strength and rigidity

Beam MS Medium Span System

Height: 1200 to 5000 mm

Frame depth: 400 to 1200 mm

Clear Entry: 1000 to 3000 mm



The unique one piece beam rotates giving you a choice of step or flat top

Designed For Performance Whatever Your Needs

Link misr MS Medium span system incorporates a wide range of Shelves, beams and frames, making it easy to customise to meet your precise storage needs. Medium bays can be combined in the same unit for efficient storage of a wide range of stock items. Purpose designed accessories are also available to extend the versatility of the Link misr Beam MS Medium span system still further.

Head Office

16 Beirut St., Heliopolis, Cairo, Egypt.
Tel.: (+202) 2453 40 46 / 66 / 68 / 69
(+202) 2453 40 71 Fax: (+202) 245 340 74
e-mail: sales@linkmisr.com

Alex. Branch:

18 A Syria St., El Hekma Tower.
Tel.: (03) 541 19 51 – 522 19 02
Fax: (03) 522 19 02

Factory:

10th of Ramadan City, Zone B4, Area 30.
Tel. & Fax: (015) 382 641 / 2 / 3 / 4 - 379 340

Website: www.linkmisr.com

Represented by:

